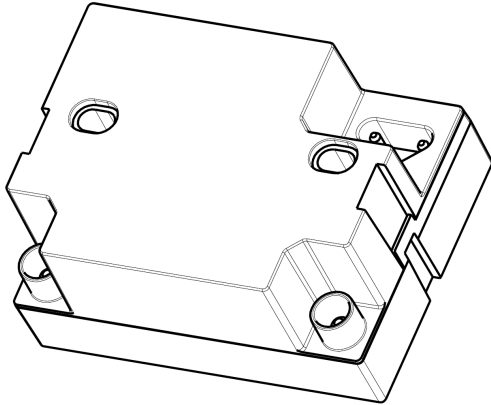
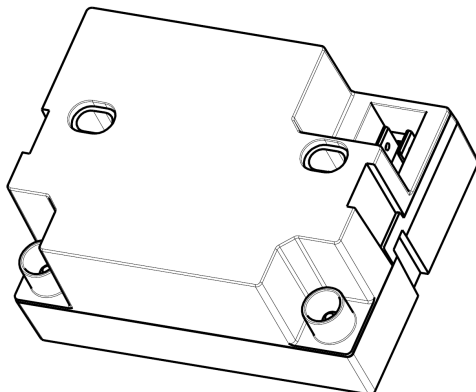


**ELECTRONIC IGNITION
TRANSFORMERS FOR
PERMANENT AND NON-
PERMANENT OPERATION**

TCDxBxx Series



TCDxFxx Series



DESCRIPTION

The peculiarity of these ignition transformers series is the overall dimension which is reduced besides they are suitable to equip gas forced draught burners and light or heavy oil burners in domestic and industrial applications. The working principle function is based on a high frequency oscillator; the voltage generated by the oscillator is then increased by means of a transformer with ferrite nucleus, reaching output voltage values up to 17 kV. All TCD types are fitted with an E.M.C. filter to minimize the emission of electromagnetic interference; in this way they don't need external filter systems and they are in compliance with the EMC directive 2014/30/EU.


FEATURES

Followings are the main features of these ranges of transformers:

- built-in EMC filter;
- 33% duty cycle on 3 min.(TCDxxAx) or 100% duty cycle (TCDxxSx);
- overall dimensions and fixing systems compatible with other ignition devices available in the market;
- fixing systems compatible with TC and TD series devices produced by Brahma S.p.A.;
- high efficiency and ignition power;
- low consumption;
- single pole or double-pole high voltage output option;
- different connecting system;
- inbuilt protection against short circuit;
- in oil and gas burners, the safety of ignition transformers depends on the control unit.

APPROVALS

- The transformers comply with the essential requirements of the "Low Voltage Directive (LVD) 2014/35/EU", as they are approved by **IMQ** according to the product standards EN 61558-1:2005+A1:2009 and EN 61558-2-3:2010.

Type	Certificate no. 
TCDxxAx	CA04.08305
TCDxxSx	CA04.08306

TECHNICAL DATA

	TCD1xA	TCD1xS	TCD2xA	TCD2xS
Number of poles	1		2	
Output peak voltage kV (1)	17		2 x 13	
Rated output voltage kV (4)	6	4	2 x 4.5	2 x 4.1
Output peak current mA (2)	83		62	
Rated output current mA (2)	37	26	30	21
Output voltage frequency kHz (1)	7		10	
Output voltage frequency kHz (2)	13		12	
Consumption VA (3)	31	23	29	19

NOTES

- (1) 30 pF load output.
- (2) Short circuit output.
- (3) 5 mm spark gap.
- (4) No-load output.

- **Supply voltage:** 230 V 50/60 Hz
- **Protection fuse according to EN 60127:** F1A 250V
- **Duty cycle:**
 - TCDxxAx 33 % in 3 min
 - TCDxxSx 100%
- **Operating temperature range:** -20 ... +60 °C
- **Protection degree:** depends from wiring
- **Winding class:** F
- **Recommended distance between the electrodes:** 3÷5 mm
- **Max. ignition cable length:** 1.5 m
- **Weight:** 250 g approx.

CONSTRUCTION

The working principle based on the use of a high frequency electronic oscillator has enabled to develop a device with limited dimensions and weight, but with high ignition power. The electronic circuit and the transformer with ferrite nucleus are bathed in a special kind of resin with very good thermal conductivity and a specific coefficient of expansion, which ensures high resistance to temperature variations and to the overload due to protracted working. An inbuilt varistor protects the device from possible voltage transients in the mains supply.

DEVICES DENOMINATIONS

The transformers of these series are available in different versions as regards:

- the number of poles
- the type of connection
- fixing of high voltage cables

on this subject, see the following scheme:

TR.EL. TCD X X X X

- ↳ **not indicated:** With terminal;
V: Screw;
- ↳ **S:** permanent operation (100% duty-cycle);
A: non-permanent operation (33% duty-cycle);
- ↳ **F:** supply with fast-on (Fig. 3);
B: supply with triangular outlet type SP1 (Fig. 4);
- ↳ **1:** single pole;
2: double poles;

Example: TR.EL. TCD2BA is a transformer type *TCD*:

- double poles (2)
- supply with triangular outlet type SP1 (B)
- non-permanent operation (A)
- fixing with cylindrical terminal ()

OVERALL DIMENSIONS

The main overall dimensions of the transformers equipped with fast-on or outlet type SP1 are illustrated in Fig. 1 (u.m. mm). To fix the transformers, screws type M4 or M5 should be used; the oval holes enable a variation of the fixing wheel base between 57.6 mm and 63.2 mm.

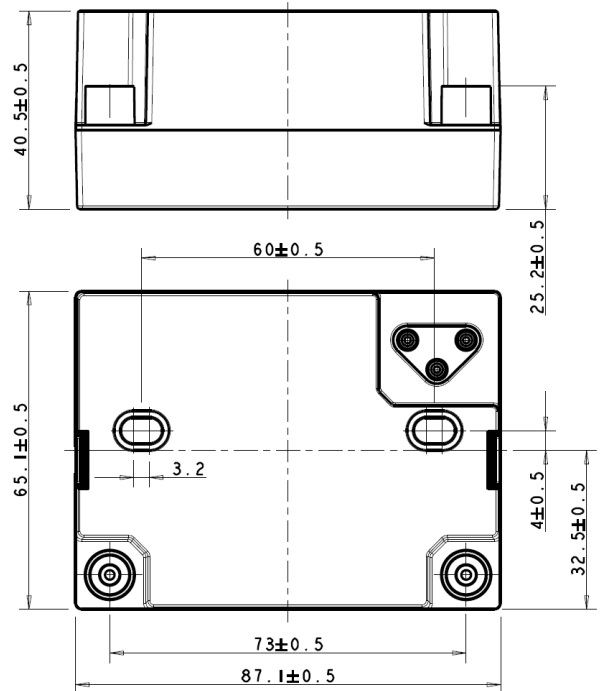


Fig. 1

CONNECTION

The transformers can be provided with a power supply cable equipped with a triangular die-cast outlet type SP1 (Fig. 2/4), or female terminals of 6.35x0.8 dimensions (for outlet of Fig.3); cable length and termination type depend on customer's request.

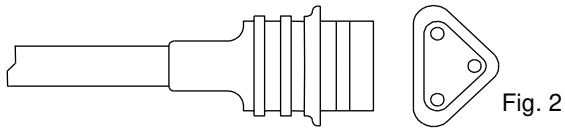


Fig. 2

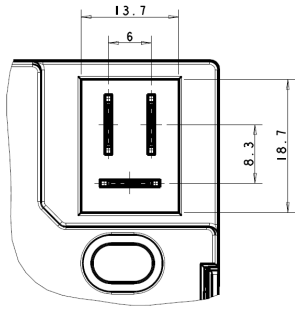


Fig. 3

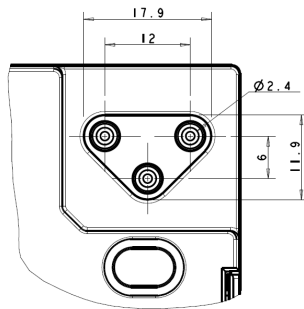


Fig. 4

The connection of high voltage cables can be carried out by means of a cylindrical terminal with 4 mm diameter as shown in Fig. 5 or of a screw (Fig. 6). All connectors, including the ones complete with cable, can be supplied on request. More detailed information on high tension cables provided with cylindrical terminal is available in the PC.../PD... series technical data (see www.brahma.it).

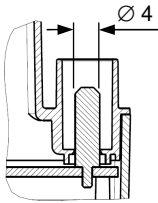


Fig. 5

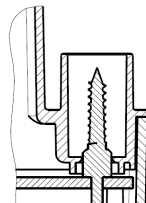


Fig. 6

INSTALLATION



- Caution! There might be dangerous voltages.
- Connect and disconnect the ignition transformer only after interrupting the mains supply.
- Respect the applicable national and European standards (e.g. EN 60335-1 / EN 60335-2-102) regarding electrical safety.
- Make sure that the earth of the ignition transformer and the earth of the electrical system are well connected.
- The device can be mounted in any position.
- Avoid putting high voltage cables next to other cables.
- Ensure a protection degree suitable to the application.

EMC FILTER

With particular reference to the use of ignition transformers in oil or gas burners, you will find here below some remarks about the application of these devices, resulting from the research carried out by the Brahma Test Laboratory. This Laboratory, in compliance with EN 55014-1, is adequately equipped for the measuring of electromagnetic interference in boilers, burners, hot air generators and heating systems in general.

According to the EMC directive 2014/30/EU, the above mentioned products must be subjected to the measuring of conducted electromagnetic interference in the mains supply, irradiated by the supply cable; the measuring is carried out on the basis of a frequency range from 150 kHz to 30 MHz in case of conducted interference, and from 30 to 300 MHz in case of irradiated interference.

Electromagnetic interference is mainly due to power variations in the electric circuits (i.e. current peaks); the greater and faster these variations, the higher the interference. In the case we are considering, the main source of interference is the discharge of the ignition transformer: the irregular discharge current causes the emission of interference on a wide frequency range.

To keep the products within the limits allowed by the present standards, a special capacitive-inductive filter is generally installed in series to the mains supply, in order to reduce electromagnetic interference with frequency up to 20 MHz approx. For the frequency range beyond this limit, it is useful to mount a resistor of a few kΩs in series to the ignition electrode, as in this case the interference is due to the high current peak generated whenever an electric arc is produced. The stronger the stray capacitance between ignition electrodes and cables and burner metal casing, the higher the current peak. The above mentioned resistor has the function of keeping the current peak as low as possible; the closer to the source of electric discharge, the greater the effectiveness of the resistor. Besides the obvious advantage of reduced assembly costs, the fitting of an EMC filter inside the ignition transformer ensures the elimination of electromagnetic interference in close proximity to their source, without involving the remaining electric circuit.

Finally, the following solutions are always effective to reduce the emission of electromagnetic interference:

- ignition cables should be as short as possible (this will reduce their stray capacitance and their possibility of acting as antennas, transferring electromagnetic interference to the nearby cables);
- use distributed resistance cables or mount a resistor near the electrodes (few kΩs can reduce the current peak);
- let ignition cables follow a separate path, close to ground planes (this will reduce the influence of electromagnetic interference on the remaining electric cables);
- make a single earth centre, preventing the earth conductors from creating circular paths.



NOTES FOR THE DISPOSAL OPERATION

The device contains electronic components and it must not be disposed of as a domestic waste. For the disposal operation refer to the local rules concerning special waste.

ATTENTION ->Company Brahma S.p.A. declines any responsibility for any damage resulting from the Customer's interfering with the device.

BRAHMA S.p.A.

Via del Pontiere,31
37045 Legnago (Vr)
Tel. +39 0442 635211 – Telefax +39 0442 25683
[http:// www.brahma.it](http://www.brahma.it)
E – mail: brahma@brahma.it

09/02/2022 Subject to amendments without notice